



**Radio Remote Control**

- Large display
- Proportional radio remote control with two batteries
- Crane and crawler control



**Hydraulic Grabber Manipulator**

300 Kg pipe and beam manipulator



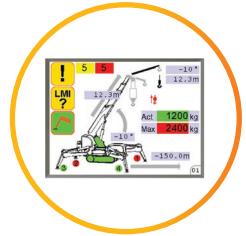
**Three different JIB**

- 1.500 Kg Hydraulic flying JIB
- 1.500 Kg Lattice flying JIB
- 3.500 Kg Runner JIB



**Pick & Carry**

2 tons 360° rotating pick & carry capacity



**Electronic LMI**

- Load and moment indicator
- Diagnostic troubleshooting
- Friendly display with all the information
- Full safety respect EN13000



**Virtual Wall**

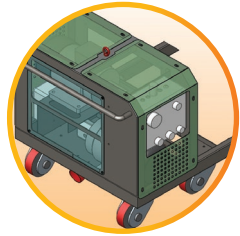
Anti-collision system with acquisition of the working area



**Hook & Pulley**

JIB working with hook or pulley mode

Limitless 360° rotation

**Power Pack**

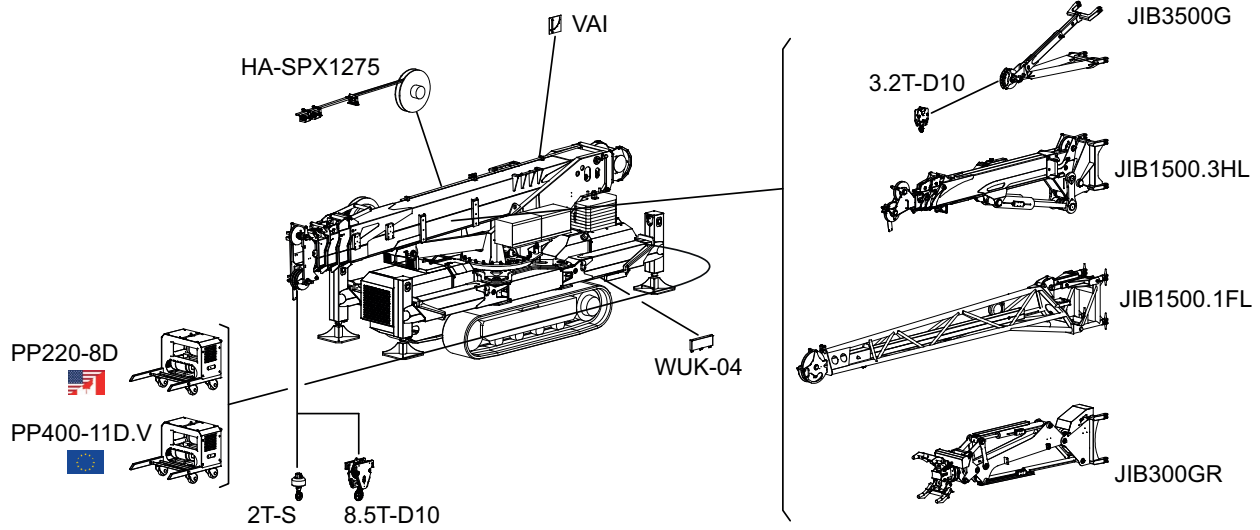
External three-phase power pack



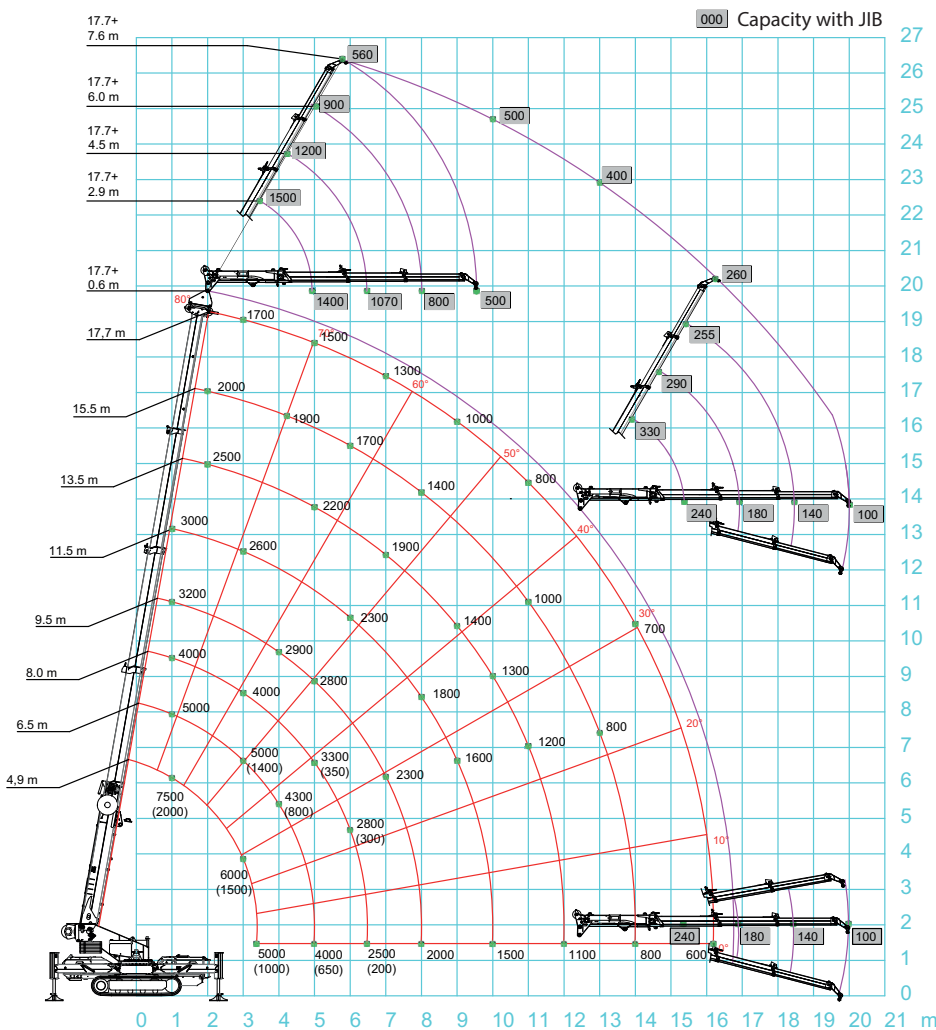
**Extendable Tracks**

Independent extendable tracks to increase steering capacity and 360° pick & carry

## Crane Options



## Load Chart



## Technical Info



EXT TRACKS INCLUDED



L x W x H

5730 x 1450 x 2030 mm



4600 x 4600 mm

		kg	
	SPX1275	6800	
	/	1500	
	8T-D10	60	
	PP400-8D PP220-8D PP400-11DV	105	
	JIB3500G	60	
	JIB600.2H*	225	
	JIB1500.3HL	480	
	JIB1500.1FL	265	
	ISUZU 3CE1		
	3	<b>kW</b>	26,9kW 36,0Hp

\*Manual extension available (stinger)

