



# MPK 20 - 25

MPK 20  
MPK 25



2000 Kg  
2500 Kg



2600x950x1975  
2400x950x1980



5,8 m  
5,8 m



2,8 m  
4 m

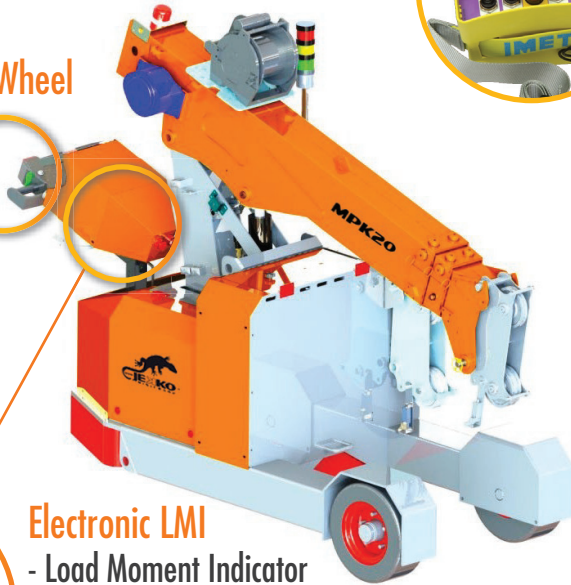
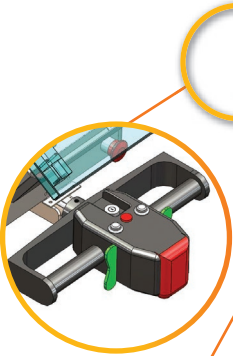
## MPK 20

MAX 2 ton

Radio Remote Control  
for the crane

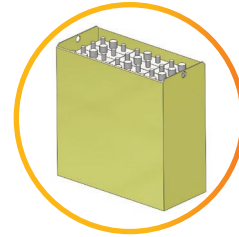
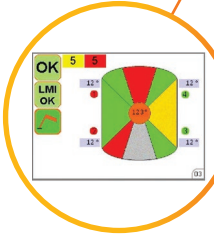


Manual Steering Wheel

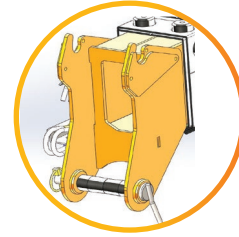


Electronic LMI

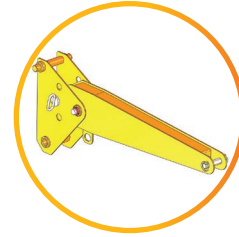
- Load Moment Indicator
- Diagnostic troubleshooting
- Large display
- Full safety respect EN13000



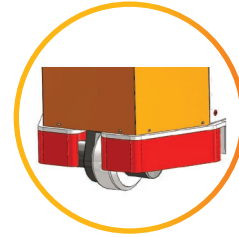
Rechargeable  
Batteries



Hook Mode  
or Pulley Mode



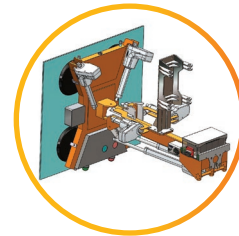
500 Kg  
Searcher Hook



Rear Traction



Low Marking  
Tracks Wheels



Vacuum  
Manipulator

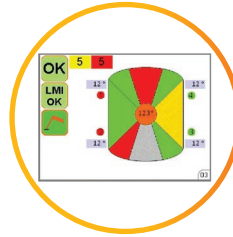
## MPK 25

MAX 2,5 ton

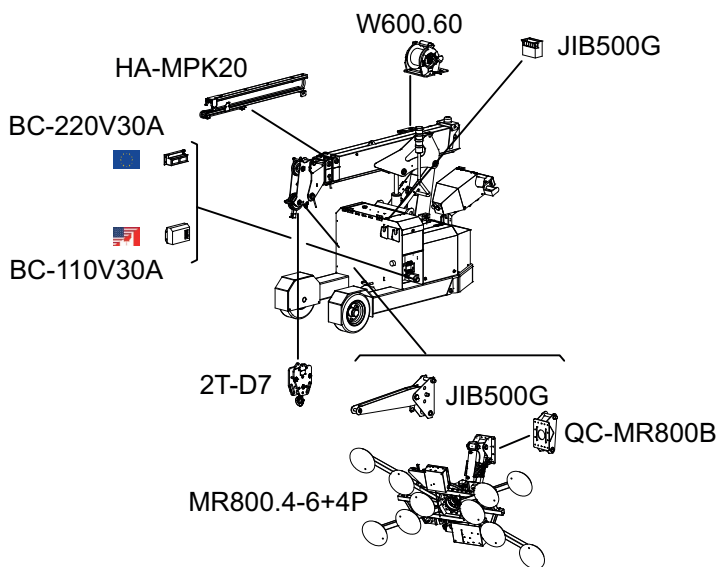
Electronic LMI

- Load Moment Indicator
- Diagnostic troubleshooting
- Large display
- Full safety respect EN13000

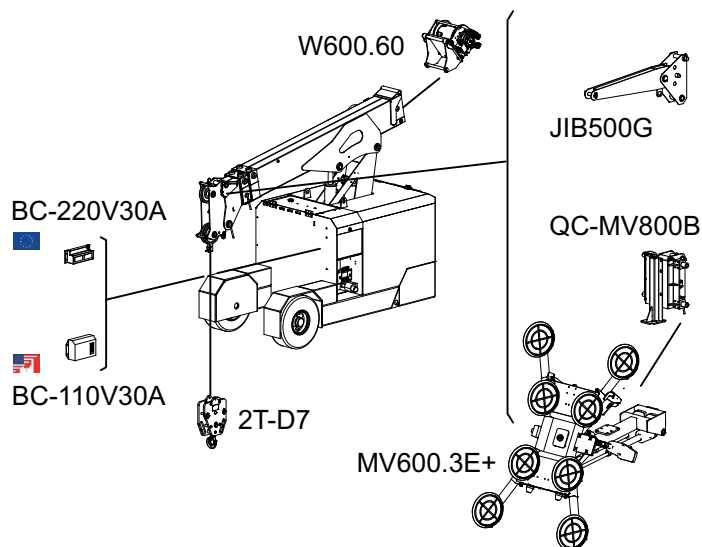
Fully Remote  
Controlled Crane  
and Wheels  
Radio remote  
controlled wheels  
traction and crane



## Crane Options MPK 20



## Crane Options MPK 25



## Technical Info MPK 20

	2660x950x1975 mm
--	------------------

	kg
	MPK20 1350
	/ 500
	2T-D7 10
	JIB500G 26
	MR800.4 295

	3,6 Km/h
	10°

	600 kg 60 m - Ø 7 mm 18 m/min
--	-------------------------------------

	n°1 24V 345 Ah	<b>kw</b>	3,0 kW 4,2 Hp
--	-------------------	-----------	------------------

## Technical Info MPK 25

	2400x950x1980 mm
--	------------------

	kg
	MPK25 2440
	/ 1000
	2T-D7 10
	JIB500G 26
	MV600.3E+ 200
	QC-MV600B 50

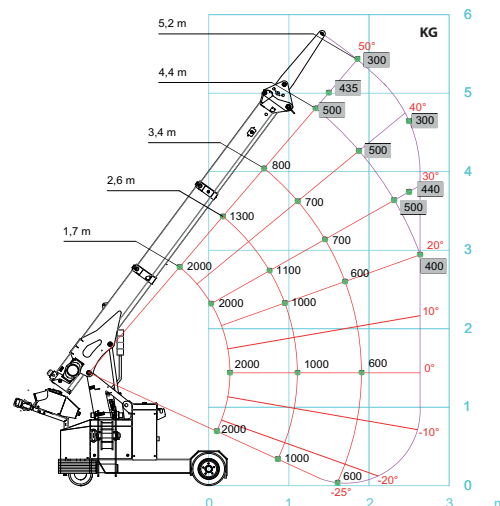
	3,6 Km/h
	10°

	600 kg 60 m - Ø 7 mm 18 m/min
--	-------------------------------------

	n°1 24V 345 Ah	<b>kw</b>	3,0 kW 4,2 Hp
--	-------------------	-----------	------------------

## Load Charts

MPK 20



MPK 25

